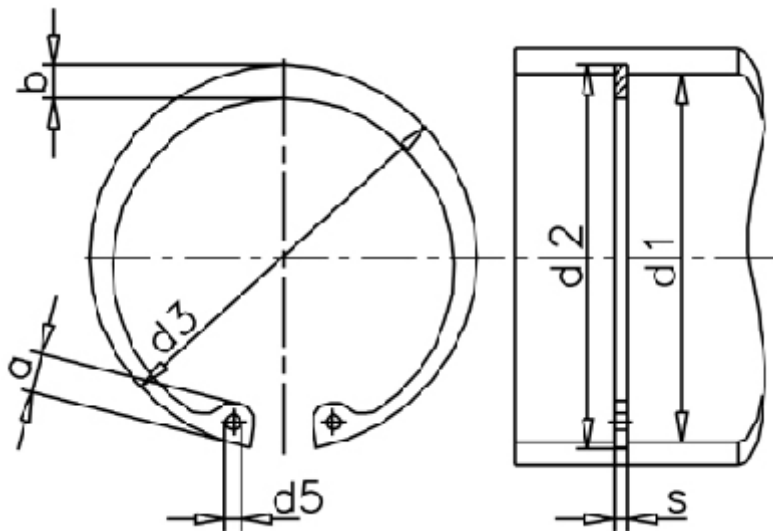


Article number: 0102153

Description: Retaining ring J210 DIN472  
Spring steel

## Measures



a max	= 14.2	FN kN	= 333.00	t	= 3.00
AN mm <sup>2</sup>	= 2002.0	FRg kN	= 89.5	tol	= +0,72
b	= 14.0	FR kN	= 601.0	tol	= +1,70-0,72
d1	= 210	g	= 4.0	tol	= -0.12
d2	= 216.0	K kN-mm	= 1378.0	Tong	= ZGJ-5
d3	= 222.00	m min	= 5.15	Weight kg/1000	= 270.00
d5 min	= 4.0	Nominal drive	= 9.0		
Description = J 210		s	= 5.00		